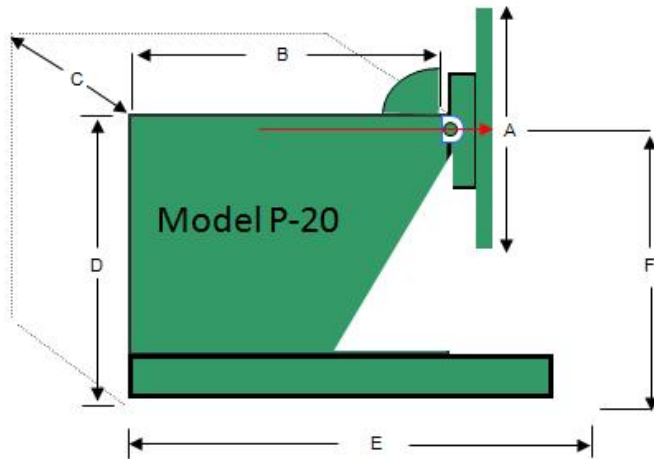




**Capitol Welders Supply Co., Inc.**  
 5111 Choctaw Dr. Baton Rouge, La. 70805  
 (225) 383-3717 (800) 826-9268  
[www.capitolwelders.com](http://www.capitolwelders.com)



A	Table Size	30"
B	Length- Center- Back	32"
C	Overall Width	30"
D	Height ( Extended )	44"
D	Height ( Lowered )	32"
E	Base Length	44"
F	Fixed Model Height	40"

\* D Optional Height Adjustment

**Model CWI- 2000 & 2000F Welding Positioner**

P20 has a motorized variable speed rotation with Forward-Stop-Reverse switch. The rotation speed is variable from 0.05 to 2.0 RPM with 135 degree forward tilt powered by a 3/4 H.P. DC brakemotor. A self locking gear reducer and spur gear produces a torque of 24,000- inch pounds. A 30" round table with 3 pre-drilled holes is standard for easy chuck mounting. The positioner operates on 120 volt, single phase, 60 cycle input power. Hand pendant includes a "Forward-Stop-Reverse" switch along with a speed adjustment potentiometer on 25' of cable. Standard pre-loaded Sealed bearings are protected by a heavy-duty welding rotoground assembly.

- Load Capacity** .....2000 Lb. 6" overhung from face of table.
- Rotational Motor Size**.....3/4 H.P. DC Motor
- Rotation Speed**.....05 to 2.0 RPM
- Rotation Torque**.....12,000 Inch Lbs.
- Tilt Range**.....0 through 135 degrees, power tilt w/ limit switches
- Tilt Torque**.....45,000 Inch Lbs.
- Shipping Weight**.....978 Lbs.
- Swing Radius**.....38-3/4" @ 90 degrees

